

NEW IN AUTOVUE ENTERPRISE VISUALIZATION, RELEASE 19.3

KEY FEATURES AND BENEFITS

TOP NEW FEATURES AND ENHANCEMENTS

- AutoVue Mobile's offline and in-context collaboration
- Electronic signing and stamping of documents and markups
- Simplified user interface
- Improved markup management
- Support for new PMI & GDT data
- Added support for IFC format
- Extended format support for MCAD, EDA and 2D CAD formats

KEY BENEFITS

- Extend the power of enterprise visualization to all enterprise users
- Drive efficient supply chain collaboration
- Boost the value of existing enterprise systems
- Maximize operational efficiency through improved business processes
- Streamline and shorten document review and approval processes
- Extend the reach of documents and information to disconnected users

Oracle's AutoVue Enterprise Visualization is the industry leading solution for viewing, reviewing and collaborating on technical documents and information across the enterprise. With release 19.3, enterprises can extend the reach of technical information to a broader set of enterprise users, improving information flow throughout the organization. Internal business processes are optimized, and supply chain collaboration can be strengthened; driving innovation, operational efficiency and business excellence.

Extend the Power of Enterprise Visualization to all Enterprise Users

AutoVue continues to extend enterprise visualization within and outside organizations by making technical information available to all enterprise users, regardless of their technical skills.

AutoVue's new streamlined and action-oriented user interface (UI) makes it easier and faster for users at all levels of an enterprise to view, review, and collaborate on technical documents, improving information flow, and enabling sound decision-making based on reliable information. New offline collaboration capabilities for disconnected users also broaden the usage of visualization and collaboration technologies throughout the enterprise.

Improved enterprise user experience– The new UI enables all enterprise reviewers to complete their tasks more quickly and easily. Menus have been rearranged to better reflect common actions required for efficient technical documents reviews, and all icons have been redesigned to provide an improved user experience and overall look & feel.

- **Extend the reach of information to disconnected users** –AutoVue Mobile adds support for offline collaboration, allowing field workers or business travelers to take their work on site or on the road. Users can work on crucial information in a disconnected fashion, and have insight into the context surrounding the documents. Users can update their data into enterprise systems when they are back online.

Capitalize on a Collaborative Supply Chain Strategy

AutoVue Mobile helps global manufacturers solve document interoperability and security challenges that hinder efficient supply chain collaboration.

AutoVue Mobile, the latest addition to the AutoVue software suite, provides a simple and secure mechanism that allows teams to share design and product information with supply chain partners. The latter have access to key information, as well as the entire history of comments, changes and decisions related to the

documents, providing them with insight into the context surrounding the documents. Partners can rely on this information to make sound business decisions and provide constructive feedback and organizations can integrate partners into their business workflows and processes.

AutoVue Mobile works in four easy steps:

- **Create a Mobile Pack** – When creating an AutoVue Mobile Pack, users can include AutoVue streaming files or native files, any related external reference files (x-refs), and/or associated AutoVue Markups. Mobile Packs can also include attributes from back-office systems, such as document status or approval date, allowing organizations to extend the efficiency of internal business processes to the entire supply chain. Users can choose to include TIFF or PDF renditions, a common requirement for ISO, industry or corporate compliance.
- **Share information** – Secure AutoVue Mobile Packs can be emailed or shared with supply chain partners for viewing, markup and collaboration. Using AutoVue streaming files in the Mobile Pack instead of native files ensures that original CAD files are not distributed outside the company, and greatly reduces the size of the Mobile Pack, which is ideal in low or no bandwidth situations.
- **View and review documents** – With AutoVue, recipients of the Mobile Pack can easily and efficiently view, markup and review documents. Reviewers have the necessary product information at hand, as well as the context of the documents, to make sound business decisions and provide timely feedback.
- **Capture and manage feedback and comments** –With AutoVue Mobile, markups, annotations and comments from multiple reviewers can be saved in the Mobile Pack. Markups can then be easily added back to the enterprise system, and associated to the original file, allowing partner feedback to be fully integrated into the collaborative process.

Optimize Business Processes through Back-Office Integration & Markups

Expand the value of existing back-office systems, and optimize the efficiency of enterprise business processes with IntelliStamp.

IntelliStamp is a new productivity feature that enables electronic signing and stamping of documents with pre-defined enterprise system attributes. Users can create custom IntelliStamp “forms” that include specific metadata, document and user information pulled directly from the back-office system, and apply them to documents. Authorized reviewers can then easily modify, add or delete attributes values, either from the back office system or from within IntelliStamp.

With IntelliStamp, organizations can accelerate internal business processes, by allowing users to trigger workflow actions directly from within documents reviewed in AutoVue. This direct interaction enables organizations to improve business processes through workflow automation.

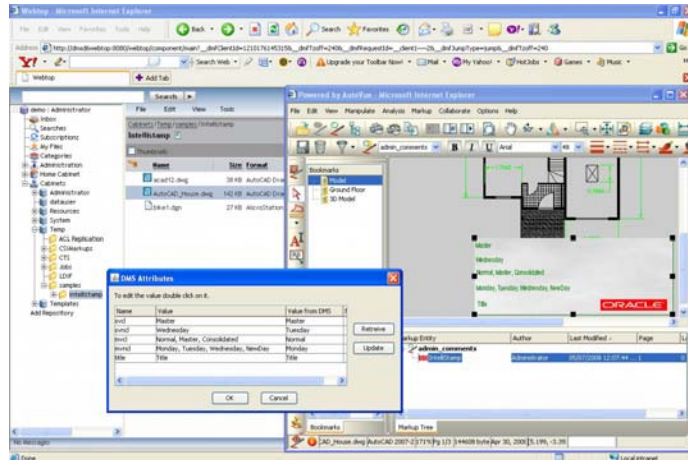


Figure1. IntelliStamp supports and improves a company's update and approval process.

AutoVue markup enhancements enable organizations to streamline their markup workflow and collaboration processes for expedited document reviews.

- **Enable digital sign-off** – Quickly approve markups and comments with digital sign-off. The sign-off stamp contains information about the markup author, date and time of creation, providing a reliable trail of changes and approvals.
- **Manage and track markups**– Markups can be filtered by author, page, entity type or layer, making it easier and faster to display, sort, manage and track reviewers' comments and annotations.
- **Attach sound, video, and graphics** - Users can now add attachments of any type (text, audio or video) to markup files, allowing teams to include additional information like instructions or how-to videos for downstream departments.

Serve Industry-Specific Needs

AutoVue 19.3 strengthens its visualization and collaboration capabilities to better address industry-specific needs, reinforcing its lead in the Engineering & Construction, Maintenance Repair & Operations (MRO) and Manufacturing spaces.

- **Support Engineering & Construction projects** – AutoVue 19.3 reaffirms its market leading position in 2D viewing for the Engineering & Construction industry by keeping pace with the latest releases of AutoCAD version 2009, and adding support for the popular Industry Foundation Classes (IFC) format, the de-facto standard for rich data exchange in the Engineering & Construction industry.
- **Streamline MRO activities** - AutoVue Mobile helps remote maintenance workers and field service employees to expedite maintenance operations and resolution, by allowing complete access to key information, even when working off-line. Comments and changes in configuration can be easily documented using AutoVue's markup functions, saved in an AutoVue Mobile Pack and then updated in the back-office system when workers are back online.
- **Streamline the manufacturing process** – AutoVue 19.3 delivers support for additional Product Manufacturing Information (PMI) and Geometric

INTEGRATE WITH ENTERPRISE APPLICATIONS

ORACLE'S AUTOVUE ENTERPRISE VISUALIZATION PRODUCTS

The Web version of AutoVue products can be integrated into existing content management, product lifecycle management, or enterprise resource planning systems, as well as file servers or home-grown solutions. Integrated with existing enterprise systems, AutoVue connects information, people and processes, delivering anytime, anywhere access to vital information and maximizing business process efficiency.

Teams can better collaborate and make sound business decisions, driving innovation and operational efficiency.

RELATED PRODUCTS AND SERVICES:

- AutoVue 2D Professional
- AutoVue 3D Professional Advanced
- AutoVue EDA Professional
- AutoVue Electro-Mechanical Professional
- AutoVue Office
- AutoVue Mobile
- AutoVue VueLink Integrations

Dimensioning and Tolerancing (GD&T) data such as captures, annotations, views, references and hyperlinks for 3D models, such as CATIA and Pro/E. Shop floor and manufacturing personnel can instantly access, view, and review important product specifications and ensure that products are manufactured in compliance with design engineering's intent.

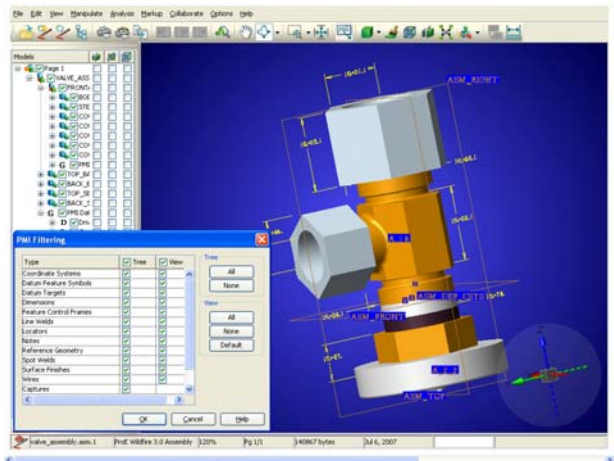


Figure2. AutoVue 19.3 offers extended support for Product Manufacturing Information

Extended Format Support

AutoVue 19.3 delivers added support for the following file formats:

- **MCAD formats** – CATIA V5R18, CATIA V5R17 SP5/SP6, SolidWorks 2008, SolidEdge V20, SolidDesigner 2007, Parasolids V 19.0 and 18.1
- **2D formats** – AutoCAD 2009, IFC, Mechanical Desktop 2008, ME10 2007, Smartsketch 2007
- **EDA formats** – Zuken Cadstar version 9.0, PADS version 2007, OrCAD Layout and Schematics version 16
- **Office and graphic formats** – Microsoft Office 2007

Click [here](#) to access a complete list of supported file formats.

Contact Us

For more information about how your organization can leverage the power of Oracle's AutoVue, please visit oracle.com/applications/autovue or call +1.800.361.1904 or +1.514.735.3219 to speak to an Oracle representative.

Copyright © 2008, Oracle and/or its affiliates. All rights reserved.

This document is provided for information purposes only, and the contents hereof are subject to change without notice. This document is not warranted to be error-free, nor is it subject to any other warranties or conditions, whether expressed orally or implied in law, including implied warranties and conditions of merchantability or fitness for a particular purpose. We specifically disclaim any liability with respect to this document, and no contractual obligations are formed either directly or indirectly by this document. This document may not be reproduced or transmitted in any form or by any means, electronic or mechanical, for any purpose, without our prior written permission.

Oracle is a registered trademark of Oracle Corporation and/or its affiliates. Other names may be trademarks of their respective owners. 0408